



Ericson IEC 309-2 Pin & Sleeve Solutions



Plugs, Connectors, Inlets, Outlets & Mechanical Interlocks

20-100-Amp, 125 -600-Volt

EXPERIENCE. INNOVATION. EXPERTISE.

Ericson.com



About Ericson Manufacturing

Founded in 1918 with over a century of innovation, experience and expertise has given Ericson the unique opportunity to offer the industry a comprehensive line of products, designed with exceptional worker safety in mind. Robust design and precision manufacturing set Ericson apart for quality products offering exceptionally long service life.

Ericson prides itself on building over 98% of it's products in the North America, giving our customers a reliable and secure supply line.

Our custom engineered products are designed to meet critical customer requirements for their most challenging applications and exceed their expectations, for highly engineered quality built products.

Thank you for considering Ericson Manufacturing products.



IEC 309 Pin & Sleeve Devices

Introduction

Ericson Manufacturing Company offers a comprehensive range of Pin & Sleeve Devices that meet IEC 309-2 specifications including UL 1682 and UL 1686 along with CSA C22.2 No. 182.1 standards for safety.

- Fully interchangeable with other manufacturers who conform to these standards.
- Watertight IP67 devices for wet locations.
- Splashproof IP44 devices for light industrial environments.
- Mechanical Interlocks available in both IP67 and IP44 constructions.

Watertight IP67 Devices

- Locking ring and gasket provides positive mechanical lock between male and female devices and receptacles to prevent intrusion of moisture, dirt and dust.
- Oversized ground contact and sequential early make, late break contact structure ensures safe connection and disconnection.
- Shrouded and recessed pins are protected from physical damage.
- Recessed contact sleeves protect from accidental touch potential.
- Color-coded devices prevent confusion with voltage ratings.
- External cable gland with "onion-ring" neoprene bushing assure watertight integrity.
- External cord clamp with bell housing to allow cord to exit at various angles without severing cable jacket.

Splash proof IP44 Devices

- Shrouded and recessed pins are protected from physical damage.
- Recessed contact sleeves protect from accidental encounter with live contacts.
- Color-coded devices prevent confusion with voltage ratings.
- External cable gland with "onion-ring" neoprene bushing assure watertight integrity.

Mechanical Interlocks

- Ensures that the plug is securely mated before electrical energy is supplied.
- Eliminates dangerous accidental disconnect under load.
- Units are NEMA and IP rated for use with IEC 60309 devices.
- Available with or without overload protection.
- Available in compact versions.
- Unique ground plate design. Allows top, bottom and side entry.
- Mechanical interlocks available with micro switch status indication.

Custom Built Power Distribution Unit & Cord Assemblies

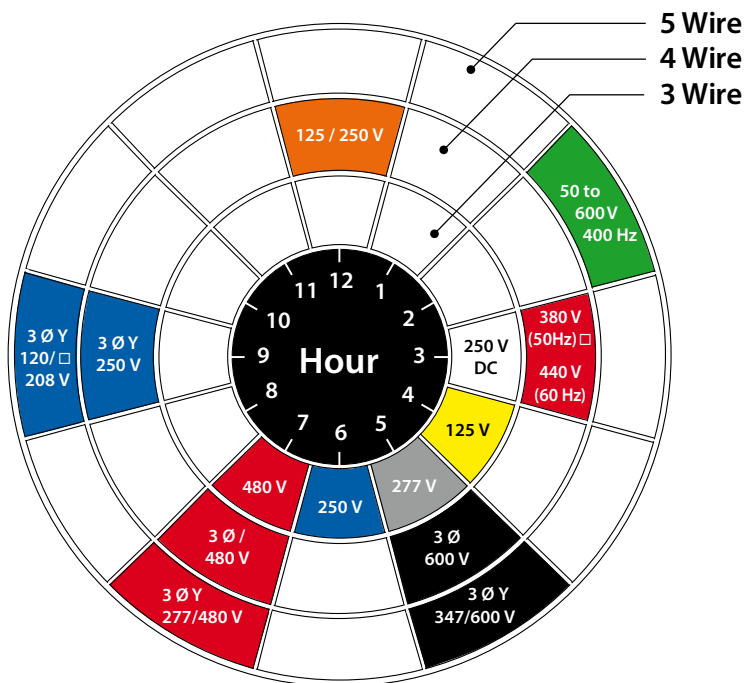
Turn to Ericson to engineer a solution to meet your temporary application. Contact your Ericson Representative or applications team to learn more.



North American Voltage Ratings

Voltage AC (Except where noted)

Clockface Positions in Accordance with IEC 309-2 and UL 1686



2 poles - 3 wire (3-pole) Volt Clock position Color code	125 V AC 4	250 V AC 6	277 V AC 5	250 V DC 3	480 V AC 7
	Yellow	Blue	Gray	White	Red
3 poles - 4 wire (4-pole) Volt Clock position Color code	125/250V AC 12	3Ø 250 V AC 9	3Ø 480 V AC 7	3Ø 600 V AC 5	
	Orange	Blue	Red	Black	
4 poles - 5 wire (5-pole) Volt Clock position Color code	3Ø Y120/208 V AC 9	3Ø Y 277/480 V AC 7	3Ø 347/600 V AC 5	50 to 600 V 400 Hz 2	
	Blue	Red	Black	Green	

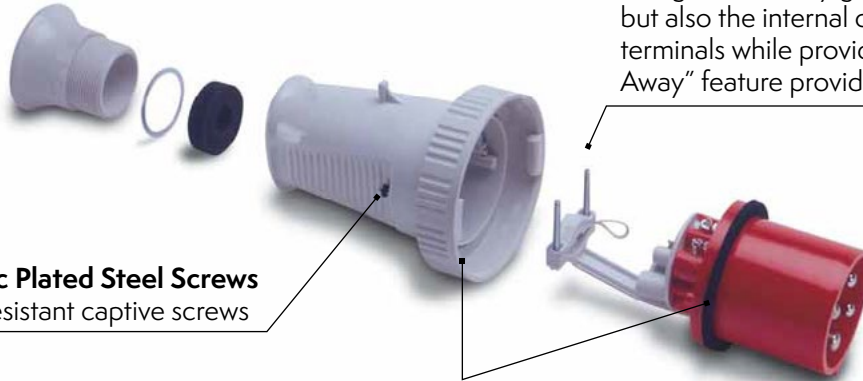
Catalog Numbering System: Receptacles, Plugs, Connectors, and Inlets

4	30	P	7	W
Wires	Amperage Rating North American/ International	Device Type	Clock Position	Environmental Classification
3 4 5 7	20 30 60 100	P - Plug C - Connector R - Receptacle RA - Receptacle Angled B - Inlet BA - Inlet Angled MI - Mechanical Interlock	Clock position of Female Grounding Contact (when keyway groove is facing down)	W - Watertight S - Splashproof

International Configuration Devices available with ratings of 16A, 32A, 63A and 125 Amps; Consult factory for additional information.

IEC309-2 IP67 Pin & Sleeve Plug

Product Details



Electro Zinc Plated Steel Screws
Corrosion resistant captive screws

Internal Strain Relief

Designed to firmly grip not only the outer cable jacket but also the internal conductors. Eliminates strain on the terminals while providing high pull-out values. "Swing Away" feature provides easy access to terminal screws.

Locking Ring Gasket

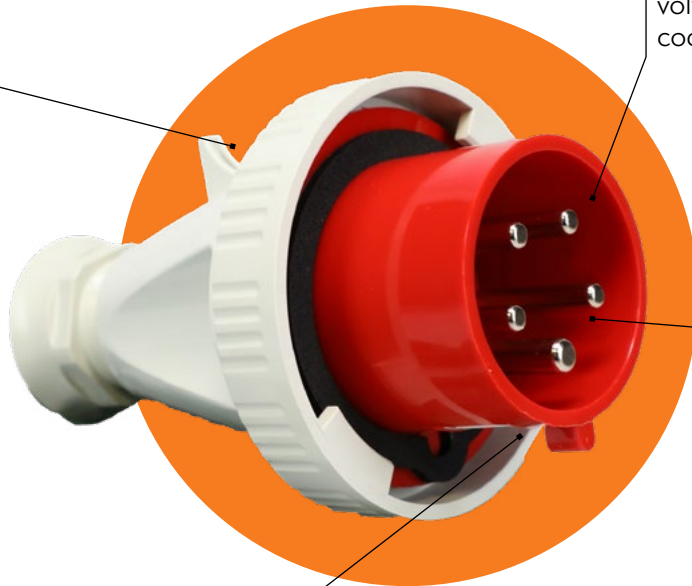
Protects against intrusion of dirt, dust, and moisture when the male and female devices are connected.

Retaining Post

Holds the plug in position when it is in proper engagement with a connector or socket-outlet and prevents its unintentional withdraw.

Safe, Reliable Connections

IEC 60309-2 configurations for plugs (inlets) and receptacles (connectors) are single-rated which assures proper mating of devices with the same voltage and amperage. IEC devices are color-coded by voltage for added safety.



Shrouded Pins

Shrouded, nickel-plated, solid brass pins offer corrosion protection and excellent conductivity. They are recessed in the nylon housing protecting them from deforming due to physical abuse.

High Impact Thermoplastic

Heavy-duty industrial insulated housings are made from high impact nylon material which is resistant to corrosion and abrasions. Non-conductive material is UV stabilized to protect against warping or discoloration.



Clock Position (Earth Ground)

Position of earth ground contact with respect to the FEMALE key way groove. (7 o'clock position shown on plug.)

Keyway

Double Terminal Screws

Double terminal screws create a large area of safe and secure contact between conductor and terminal. Screws are captive, easily accessible and supplied in the open position.



Solid Brass Pin & Sleeves

Low contact resistance and high conductivity. Long lasting, reliable electrical contact.

IEC309-2 IP67, 309 Watertight Pin & Sleeve Connector

Watertight Devices

Product Details



Spring Loaded Gasketed Cover

Snaps into place when the plug is removed. Protects against encounter with live contacts while keeping out dirt, dust and moisture

Internal Strain Relief

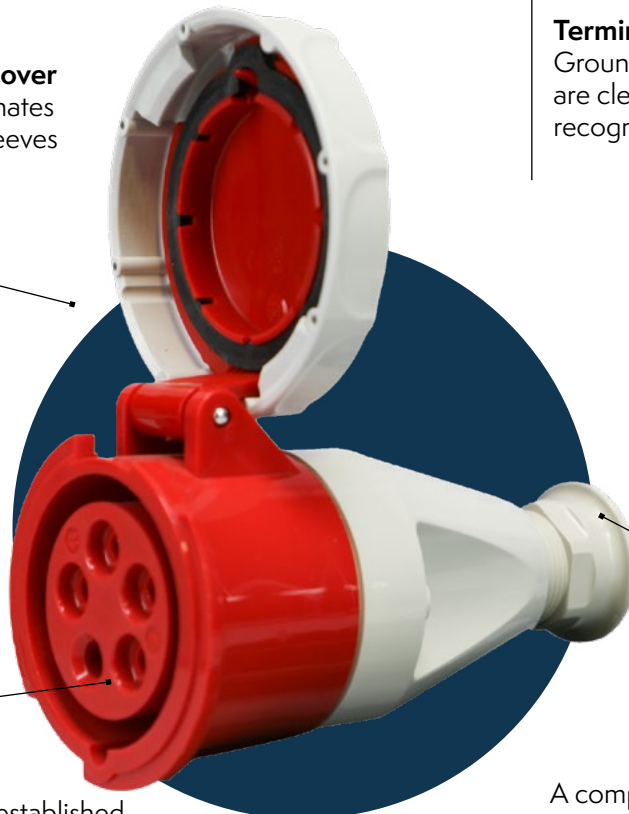
Designed to firmly grip not only the outer cable jacket but also the internal conductors. Eliminates strain on the terminals while providing high pull-out values. "Swing Away" feature provides easy access to terminal screws.

Watertight Locking Female Cover

Prevents moisture and contaminants from entering the receptacle sleeves

Terminal Identification

Ground, neutral and phase terminals are clearly identified for easy recognition and ease of wiring



First Make/Last Break (FMLB)

Connectors ensure the ground path is established before any other power or signal connections are made preventing making or breaking the circuit under load.

Trumpet/Bell Gland

A compression type cable gland with onion ring and neoprene bushing which serves as a secondary method to prevent cable from being twisted or accidentally pulled out of the housing. Provides an airtight seal to keep out dust, dirt, and moisture that carries IP67 Splashproof rating.



Clock Position (7-Clock position shown)

Position of earth ground contact pin with respect to the FEMALE keyway groove

Keyway Groove

IEC 309 Pin & Sleeve Devices

IP 67 Watertight

20 and 30 Amp



Amps	Poles & Wires	Configurations Female - Male	Voltage	Straight Receptacle	Angled Receptacle	Plug	Connector	Angled Inlet	Back Box ^{1&2}	
20	2P3W		250VDC	320R3W	320RA3W	320P3W	320C3W	320BA3W		
	2P3W		125	320R4W	320RA4W	320P4W	320C4W	320BA4W		
	2P3W		250	320R6W	320RA6W	320P6W	320C6W	320BA6W		
	2P3W		480	320R7W	320RA7W	320P7W	320C7W	320BA7W		
	2P3W		277	320R5W	320RA5W	320P5W	320C5W	320BA5W		
	3P4W		125/250	420R12W	420RA12W	420P12W	420C12W	420BA12W	BB201W	BB301W
	3P4W		3Ø250	420R9W	420RA9W	420P9W	420C9W	420BA9W	BB201W	BB301W
	3P4W		3Ø 480	420R7W	420RA7W	420P7W	420C7W	420BA7W	BB201W	BB301W
	3P4W		3Ø 600	420R5W	420RA5W	420P5W	420C5W	420BA5W	BB201W	BB301W
	4P5W		3Ø Y120/208	520R9W	520RA9W	520P9W	520C9W	520BA9W	BB201W	BB301W
	4P5W		3Ø Y277/480	520R7W	520RA7W	520P7W	520C7W	520BA7W	BB201W	BB301W
	4P5W		3Ø Y347/600	520R5W	520RA5W	520P5W	520C5W	520BA5W	BB201W	BB301W
30	2P3W		250VDC	330R3W	330RA3W	330P3W	330C3W	330BA3W	BB201W	BB301W
	2P3W		125	330R4W	330RA4W	330P4W	330C4W	330BA4W	BB201W	BB301W
	2P3W		250	330R6W	330RA6W	330P6W	330C6W	330BA6W	BB201W	BB301W
	2P3W		480	330R7W	330RA7W	330P7W	330C7W	330BA7W	BB201W	BB301W
	2P3W		277	330R5W	330RA5W	330P5W	330C5W	330BA5W	BB201W	BB301W
	3P4W		125/250	430R12W	430RA12W	430P12W	430C12W	430BA12W	BB201W	BB301W
	3P4W		3Ø 250	430R9W	430RA9W	430P9W	430C9W	430BA9W	BB201W	BB301W
	3P4W		3Ø 480	430R7W	430RA7W	430P7W	430C7W	430BA7W	BB201W	BB301W
	3P4W		3Ø 600	430R5W	430RA5W	430P5W	430C5W	430BA5W	BB201W	BB301W
	4P5W		50-600 400Hz	530R2W	530RA2W	530P2W	530C2W	530BA2W	BB201W	BB301W
	4P5W		3Ø Y120/208	530R9W	530RA9W	530P9W	530C9W	530BA9W	BB201W	BB301W
	4P5W		3Ø Y277/480	530R7W	530RA7W	530P7W	530C7W	530BA7W	BB201W	BB301W
4P5W		3Ø Y347/600	530R5W	530RA5W	530P5W	530C5W	530BA5W	BB201W	BB301W	

1. Back Box for use with Receptacles only. Select Back Box with Hub Size to fit your application refer to the back boxes & closure caps page in this section.

2. Can not use angled inlets with back box.

IEC 309 Pin & Sleeve Devices

IP 67 Watertight

60 and 100 Amp



Amps	Poles & Wires	Configurations Female - Male	Voltage	Straight Receptacle	Angled Receptacle	Plug	Connector	Straight Inlet	Angled Inlet	Back Box ^{1&2}	
60	2P3W		250VDC	360R3W	360RA3W	360P3W	360C3W		360BA3W	BB601W	BB602W
	2P3W		125	360R4W	360RA4W	360P4W	360C4W		360BA4W	BB601W	BB602W
	2P3W		250	360R6W	360RA6W	360P6W	360C6W		360BA6W	BB601W	BB602W
	2P3W		480	360R7W	360RA7W	360P7W	360C7W		360BA7W	BB601W	BB602W
	2P3W		277	360R5W	360RA5W	360P5W	360C5W		360BA5W	BB601W	BB602W
	3P4W		125/250	460R12W	460RA12W	460P12W	460C12W		460BA12W	BB601W	BB602W
	3P4W		3Ø250	460R9W	460RA9W	460P9W	460C9W		460BA9W	BB601W	BB602W
	3P4W		3Ø480	460R7W	460RA7W	460P7W	460C7W		460BA7W	BB601W	BB602W
	3P4W		3Ø600	460R5W	460RA5W	460P5W	460C5W		460BA5W	BB601W	BB602W
	4P5W		3ØY120/208	560R9W	560RA9W	560P9W	560C9W		560BA9W	BB601W	BB602W
	4P5W		3ØY277/480	560R7W	560RA7W	560P7W	560C7W		560BA7W	BB601W	BB602W
	4P5W		3ØY347/600	560R5W	560RA5W	560P5W	560C5W		560BA5W	BB601W	BB602W
100	2P3W		250VDC	3100R3W	3100RA3W	3100P3W	3100C3W	3100B3W		BB1001W	BB1002W
	2P3W		125	3100R4W	3100RA4W	3100P4W	3100C4W	3100B4W		BB1001W	BB1002W
	2P3W		250	3100R6W	3100RA6W	3100P6W	3100C6W	3100B6W		BB1001W	BB1002W
	2P3W		480	3100R7W	3100RA7W	3100P7W	3100C7W	3100B7W		BB1001W	BB1002W
	2P3W		277	3100R5W	3100RA5W	3100P5W	3100C5W	3100B5W		BB1001W	BB1002W
	3P4W		125/250	4100R12W	4100RA12W	4100P12W	4100C12W	4100B12W		BB1001W	BB1002W
	3P4W		3Ø250	4100R9W	4100RA9W	4100P9W	4100C9W	4100B9W		BB1001W	BB1002W
	3P4W		3Ø480	4100R7W	4100RA7W	4100P7W	4100C7W	4100B7W		BB1001W	BB1002W
	3P4W		3Ø600	4100R5W	4100RA5W	4100P5W	4100C5W	4100B5W		BB1001W	BB1002W
	4P5W		3ØY120/208	5100R9W	5100RA9W	5100P9W	5100C9W	5100B9W		BB1001W	BB1002W
	4P5W		3ØY277/480	5100R7W	5100RA7W	5100P7W	5100C7W	5100B7W		BB1001W	BB1002W
	4P5W		3ØY347/600	5100R5W	5100RA5W	5100P5W	5100C5W	5100B5W		BB1001W	BB1002W

IEC 309 Pin & Sleeve Devices

IP 44 Splashproof

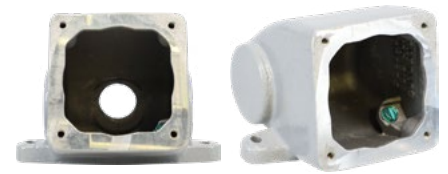
20,30 and 60 Amp



Amps	Poles & Wires	Configurations Female - Male	Voltage	Straight Receptacle	Angled Receptacle	Plugs	Connectors	Straight Inlet	Angled Inlet	Back Box ^{1&2}	
20	2P3W		250VDC	320R3S	320RA3S	320P3S	320C3S	320B3S			
	2P3W		125	320R4S	320RA4S	320P4S	320C4S	320B4S			
	2P3W		250	320R6S	320RA6S	320P6S	320C6S	320B6S			
	2P3W		480	320R7S	320RA7S	320P7S	320C7S	320B7S			
	2P3W		277	320R5S	320RA5S	320P5S	320C5S	320B5S			
	3P4W		125/250	420R12S	420RA12S	420P12S	420C12S	420B12S		BB201W	BB301W
	3P4W		3Ø 250	420R9S	420RA9S	420P9S	420C9S	420B9S		BB201W	BB301W
	3P4W		3Ø 480	420R7S	420RA7S	420P7S	420C7S	420B7S		BB201W	BB301W
	3P4W		3Ø 600	420R5S	420RA5S	420P5S	420C5S	420B5S		BB201W	BB301W
	4P5W		3Ø Y120/208	520R9S	520RA9S	520P9S	520C9S	520B9S		BB201W	BB301W
	4P5W		3Ø Y277/480	520R7S	520RA7S	520P7S	520C7S	520B7S		BB201W	BB301W
	4P5W		3Ø Y347/600	520R5S	520RA5S	520P5S	520C5S	520B5S		BB201W	BB301W
	6P7W		250	720R9S		720P9S	720C9S	720B9S		BB201W	BB301W
6P7W		480	720R7S		720P7S	720C7S	720B7S		BB201W	BB301W	
30	2P3W		250VDC	330R3S	330RA3S	330P3S	330C3S	330B3S		BB201W	BB301W
	2P3W		125	330R4S	330RA4S	330P4S	330C4S	330B4S		BB201W	BB301W
	2P3W		250	330R6S	330RA6S	330P6S	330C6S	330B6S		BB201W	BB301W
	2P3W		480	330R7S	330RA7S	330P7S	330C7S	330B7S		BB201W	BB301W
	2P3W		277	330R5S	330RA5S	330P5S	330C5S	330B5S		BB201W	BB301W
	3P4W		125/250	430R12S	430RA12S	430P12S	430C12S	430B12S		BB201W	BB301W
	3P4W		3Ø 250	430R9S	430RA9S	430P9S	430C9S	430B9S		BB201W	BB301W
	3P4W		3Ø 480	430R7S	430RA7S	430P7S	430C7S	430B7S		BB201W	BB301W
	3P4W		3Ø 600	430R5S	430RA5S	430P5S	430C5S	430B5S		BB201W	BB301W
	4P5W		50-600 400Hz	530R2S	530RA2S	530P2S	530C2S	530B2S		BB201W	BB301W
	4P5W		3Ø Y120/208	530R9S	530RA9S	530P9S	530C9S	530B9S		BB201W	BB301W
	4P5W		3Ø Y277/480	530R7S	530RA7S	530P7S	530C7S	530B7S		BB201W	BB301W
	4P5W		3Ø Y347/600	530R5S	530RA5S	530P5S	530C5S	530B5S		BB201W	BB301W
6P7W		250	730R9S		730P9S	730C9S	730B9S		BB201W	BB301W	
6P7W		480	730R7S		730P7S	730C7S	730B7S		BB201W	BB301W	
60	2P3W		250VDC	360R3S	360RA3S	360P3S	360C3S		360BA3S	BB601W	BB601W
	2P3W		125	360R4S	360RA4S	360P4S	360C4S		360BA4S	BB601W	BB601W
	2P3W		250	360R6S	360RA6S	360P6S	360C6S		360BA6S	BB601W	BB601W
	2P3W		480	360R7S	360RA7S	360P7S	360C7S		360BA7S	BB601W	BB601W
	2P3W		277	360R5S	360RA5S	360P5S	360C5S		360BA5S	BB601W	BB601W
	3P4W		125/250	460R12S	460RA12S	460P12S	460C12S		460BA12S	BB601W	BB601W
	3P4W		3Ø 250	460R9S	460RA9S	460P9S	460C9S		460BA9S	BB601W	BB601W
	3P4W		3Ø 480	460R7S	460RA7S	460P7S	460C7S		460BA7S	BB601W	BB601W
	3P4W		3Ø 600	460R5S	460RA5S	460P5S	460C5S		460BA5S	BB601W	BB601W
	4P5W		50-600 400Hz	560R2S	560RA2S	560P2S	560C2S		560BA2S	BB601W	BB601W
	4P5W		3Ø Y120/208	560R9S	560RA9S	560P9S	560C9S		560BA9S	BB601W	BB601W
	4P5W		3Ø Y277/480	560R7S	560RA7S	560P7S	560C7S		560BA7S	BB601W	BB601W
	4P5W		3Ø Y347/600	560R5S	560RA5S	560P5S	560C5S		560BA5S	BB601W	BB601W

IEC 309 Pin & Sleeve Devices

Back Boxes & Closure Caps



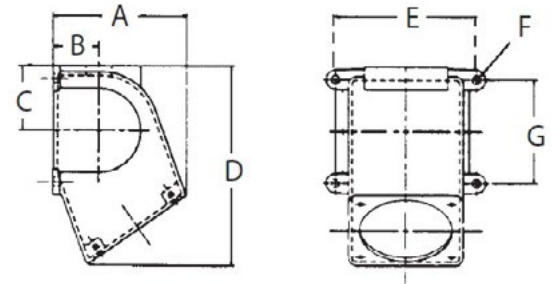
Back Boxes for use with Ericson watertight and splashproof receptacles.

Catalog Number	Description	Hub Size	Dimensions (Inches)							Cubic Inch Capacity
			A	B	C	D	E	F	G	
BB201W	20° Angle for 20A, 4 & 5 wire receptacles & all 30A receptacles	¾"	3.34	0.97	1.12	4.12	4.00	0.25	2.38	20.4
BB301W		1"								
BB601W	20° Angle for all 60A receptacles	1¼"	4.41	1.41	2.09	5.63	5.00	0.28	3.00	59.7
BB602W		1½"								
BB1001W	20° Angle for all 100A receptacles	1½"	5.18	1.78	2.50	7.71	5.50	0.34	4.00	96.6
BB1002W		2"								

NOTE: For availability of straight back boxes, please contact the factory.

Cast Aluminum Junction Boxes for Watertight and Splashproof Receptacles

Epoxy-coated junction boxes are corrosion resistant and designed to pass the 500-hour salt spray test, UL hosedown and external icing test.



Watertight Closure Caps

for use with Watertight Male Plugs & Inlets

Catalog Numbers	Poles & Wires	Amperage Rating	Standard Package Quantity
PC320 PC3430 PC60 PC100	3 Wire	20 30 60 100	5 5 2 2
PC420 PC3430 PC60 PC100	4 Wire	20 30 60 100	5 5 2 2
PC520 PC530 PC60 PC100	5 Wire	20 30 60 100	5 5 2 2



Adapters for use with NPT Devices to Plugs & Connectors

Product Numbers	Amperage of Plug / Connector	Wire Count of Plug / Connector	NPT Size
IEC-NPTADPT-20A-50	20	3	1/2"
IEC-NPTADPT-20A-75	20	4, 5	3/4"
IEC-NPTADPT-30A-100	30	3, 4, 5	1"
IEC-NPTADPT-30A-125	30	3, 4, 5	1-1/4"
IEC-NPTADPT-60A-125	60	3, 4, 5	1-1/4"
IEC-NPTADPT-60A-150	60	3, 4, 5	1-1/2"



Mechanical Interlocks

Ericson offers a variety of Mechanical interlocks from 20-Amp through 100-Amp. Mechanical Interlocks combine a disconnect switch and receptacle into one device ensuring secure contact and preventing accidental disconnect underload. The safety mechanism within the enclosure prevents the switch from being turned to the "ON" position until the plug is fully inserted into the receptacle. Once fully engaged, the plug is locked into place when the switch is turned on and cannot be removed until the switch is turned to the "OFF" position. This prevents making or breaking the circuit under load. Ericson mechanical interlocks are also available with optional circuit breaker (see inset photo).

Mounting screw ports

located outside enclosure gasket for seal integrity.

Compact Size

All versions are designed to mount within an 8" column.

Easy Identification

The label includes catalog number, rating, and certifications to easily identify mating devices.

On/Off markings

Clearly visible On/Off markings indicate power status.

Compliance with OSHA Lockout Requirements

Ericson Mechanical Interlock handles can be locked in the "OFF" position to comply with OSHA lockout standards. The handle accepts up to a 5/16" padlock shaft

Watertight NEMA 4X, 12K Nonmetallic Enclosure

Ericson Mechanical Interlock enclosures are rated NEMA 4X,12K and resist abuse and corrosion.

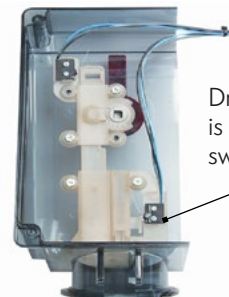
Color Coded Receptacle Covers

Receptacle covers are color-coded by voltage in accordance with IEC 309 standards.



A Pre-Molded Offset Dimple

A pre-molded recessed dimple (drill point), provides the installer a range of input conduit size options. The grounding plate may be positioned at the conduit entry to ensure a secure ground connection.



Dry Contact Relay is available to signal switch position.



Swivel Mount Feet (135°)

Swivel mount feet can be used for a variety of installations.

Mechanical Interlocks without circuit breakers²

IP 67 Watertight¹

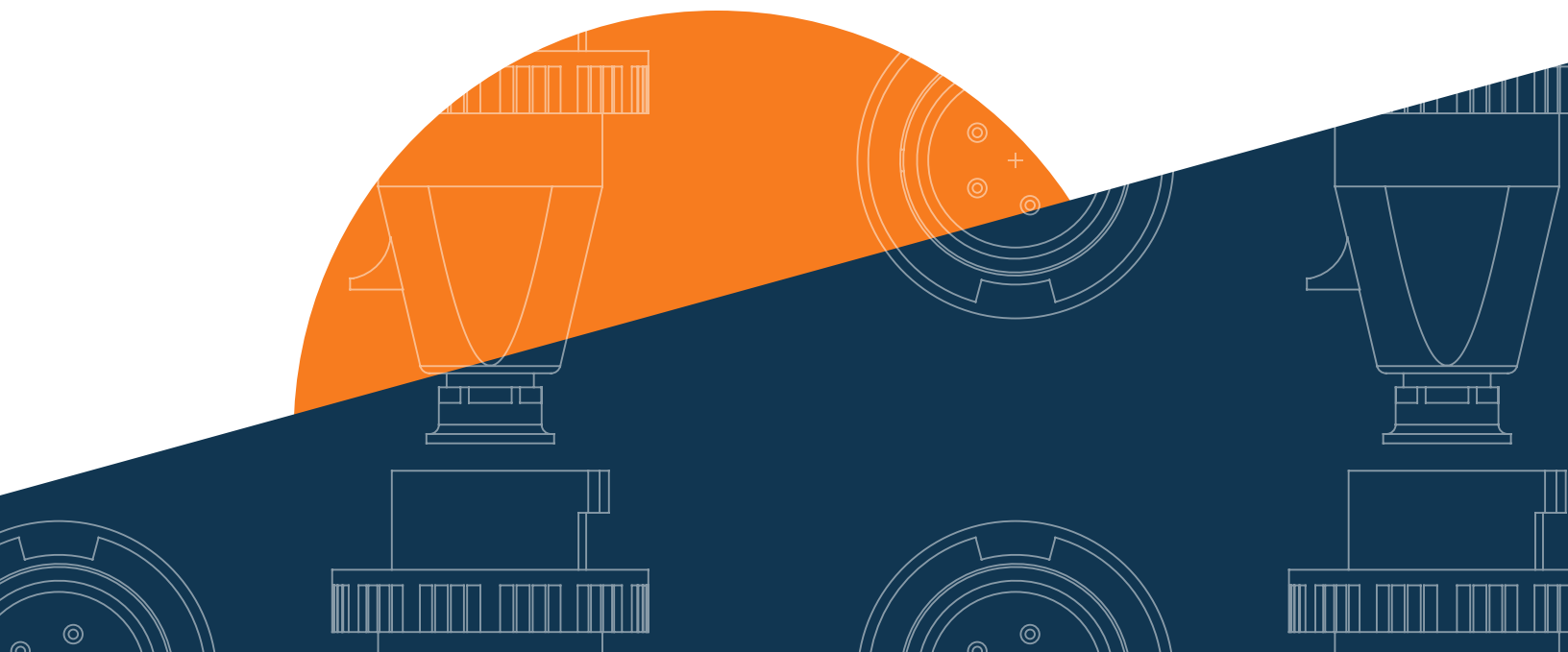


Selection Guide

Poles & Wires	Configuration Female - Male	Voltage	Horsepower Rating 20A & 30A Only	20 Amps	30 Amps	60 Amps	100 Amps	Horsepower Rating 60A & 100A Only
2P3W		120	2	320MI4W-L	330MI4W-L	360MI4W-L	3100MI4W-L	3
		240	5	320MI6W-L	330MI6W-L	360MI6W-L	3100MI6W-L	7.5
		480	10	320MI7W-L	330MI7W-L	360MI7W-L	3100MI7W-L	15
3P4W		120/240	2 @ 120 5 @ 240	420MI12W-L	430MI12W-L	460MI12W-L	4100MI12W-L	3 @ 120 7.5 @ 240
		3 ϕ 240	10	420MI9W-L	430MI9W-L	460MI9W-L	4100MI9W-L	15
		3 ϕ 480	20	420MI7W-L	430MI7W-L	460MI7W-L	4100MI7W-L	25
		3 ϕ 600	25	420MI5W-L	430MI5W-L	460MI5W-L	4100MI5W-L	30
4P5W		3 ϕ Y 120/208	10	520MI9W-L	530MI9W-L	560MI9W-L	5100MI9W-L	15
		3 ϕ Y 277/480	20	520MI7W-L	530MI7W-L	560MI7W-L	5100MI7W-L	25
		3 ϕ Y 347/600	25	520MI5W-L	530MI5W-L	560MI5W-L	5100MI5W-L	30

Notes:

1. Also available in IP44 splashproof models - contact factory for availability
2. Also available with circuit breakers - contact factory for availability



Mechanical Interlocks

Specifications and Listings

Electrical

Dielectric Voltage Withstand	3,000 Volts
Maximum Working Voltage	600 Volts RMS (switch version) 480 Volts RMS (circuit breaker version)
Current Interrupting	Certified for current interrupting at full rated current and voltage
Short Circuit Withstand Rating	Suitable for use on a circuit capable of delivering not more than 10,000 RMS symmetrical amperes at the voltage rating of the receptacle.
Operations	Mechanical: 10,000 cycles Electrical: 6,000 cycles

Mechanical

Impact Resistance	In accordance with UL 746C
Terminal Identification	In accordance with UL, CSA and international conventions
Product Identification	Identification, ratings and color code in accordance with UL, CSA and IEC requirements
Lockout/Tagout	"ON" and "OFF" lockout/tagout capability at switch handle. Complies with OSHA Reg. 29CFR 1910.147
Mounting	External adjustable feet



Materials

Enclosure (all exterior components)	UL94-5VA/V0, UV stabilized, impact components) modified Valox [®]
Contact Carrier	Molded arc resistant UL94-V0 thermoplastic
Gaskets	Neoprene or EPDM
Contacts (Watertight IP67)	Brass, Nickel Plated
Contacts (Splashproof IP44)	Brass
Hardware (screws & springs)	Steel with zinc-plated blue chromate or nickel plating

Approvals & Compliances

UL 508 (switch version) Motor Disconnect
UL 508 (compact version) Manual Motor Controller
UL 231 & UL 489 (circuit breaker version)
UL1682 & 1686
CSA C22.2 No. 14, 182.1
IEC 309-1 & IEC 309-2

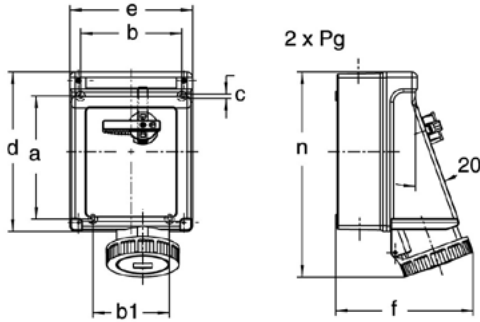
Environmental

Moisture Resistance	Watertight IP67 (Washdown) - UL Type 4X Splashproof IP44
Flammability	UL94-5VA & V0 Classifications
Operating Temperatures	Maximum Continuous: 60°C (140°F) Minimum Continuous: -40°C (-40°F)
UV Resistance	UV stabilized material
Chemicals	Resists most standard industrial hydrocarbons, acids, bases and solvents

IEC 309 Pin & Sleeve Devices

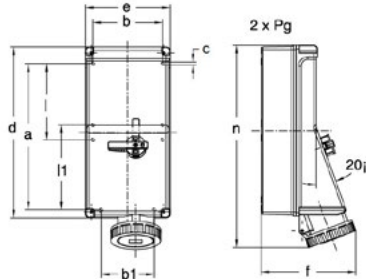
Mechanical Interlocks - Dimensions

20A, 30A & 60A IP67 Watertight Models:



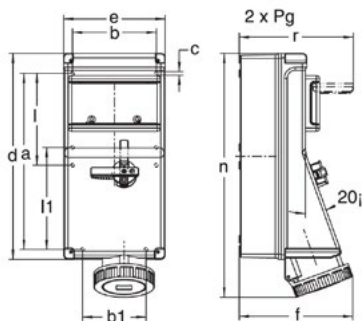
Amps	Poles & Wires	Dimensions										
			A	B	B ¹	C	D	E	F	F	N	N
20	2P3W	inch	7.20	5.94	4.49	0.26	9.33	7.20	7.17	7.60	10.55	10.63
		mm	183	151	114	6.5	237	183	182	193	2.68	270
20	3P4W	inch	7.20	5.94	4.49	0.26	9.33	7.20	7.36	7.64	10.63	10.71
		mm	183	151	114	6.5	237	183	187	194	2.70	272
20	4P5W	inch	7.20	5.94	4.49	0.26	9.33	7.20	7.24	7.72	10.75	10.91
		mm	183	151	114	6.5	237	183	184	196	2.73	277
30	2P3W	inch	7.20	5.94	4.49	0.26	9.33	7.20	7.36	7.91	11.10	11.22
		mm	183	151	114	6.5	237	183	187	201	282	285
30	3P4W	inch	7.20	5.94	4.49	0.26	9.33	7.20	7.36	7.91	11.10	11.22
		mm	183	151	114	6.5	237	183	187	201	282	285
30	4P5W	inch	7.20	5.94	4.49	0.26	9.33	7.20	7.44	7.91	11.18	11.38
		mm	183	151	114	6.5	237	183	189	201	284	289
60	2P3W	inch	7.20	5.94	4.49	0.26	9.33	7.20	7.72	8.23	11.89	12.17
		mm	183	151	114	6.5	237	183	196	209	302	309
60	3P4W	inch	7.20	5.94	4.49	0.26	9.33	7.20	7.72	8.23	11.89	12.17
		mm	183	151	114	6.5	237	183	196	209	302	309

100A IP67 Watertight Models:



Amps	Poles & Wires	Dimensions												
			A	B	B ¹	C	D	E	F	F	L	L ¹	N	N
100	2P3W	inch	12.44	5.94	4.96	0.26	14.57	7.20	-	9.57	-	-	-	17.72
		mm	316	151	126	6.5	370	183	-	243	-	-	-	450
100	3P4W	inch	12.44	5.94	4.96	0.26	14.57	7.20	-	9.57	-	-	-	17.72
		mm	316	151	126	6.5	370	183	-	243	-	-	-	450
100	4P5W	inch	12.44	5.94	4.96	0.26	14.57	7.20	-	9.57	-	-	-	17.72
		mm	316	151	126	6.5	370	183	-	243	-	-	-	450

20A, 30A, 60A IP67 Watertight Models with Circuit Breakers:



Amps	Poles & Wires	Dimensions													
			A	B	B ¹	C	D	E	F	F	L	L ¹	N	N	R
20	2P3W	inch	12.44	5.94	4.49	0.26	14.57	7.20	7.17	7.60	6.50	7.20	15.91	15.91	8.11
		mm	316	151	114	6.5	370	183	182	193	165	183	404	404	206
20	3P4W	inch	12.44	5.94	4.49	0.26	14.57	7.20	7.36	7.64	6.50	7.20	15.94	15.94	8.11
		mm	316	151	114	6.5	370	183	187	194	165	183	405	405	206
20	4P5W	inch	12.44	5.94	4.49	0.26	14.57	7.20	7.24	7.72	6.50	7.20	16.14	15.94	8.11
		mm	316	151	114	6.5	370	183	184	196	165	183	410	405	206
30	2P3W	inch	12.44	5.94	4.49	0.26	14.57	7.20	7.36	7.91	6.50	7.20	16.46	16.34	8.11
		mm	316	151	114	6.5	370	183	187	201	165	183	418	415	206
30	3P4W	inch	12.44	5.94	4.49	0.26	14.57	7.20	7.36	7.91	6.50	7.20	16.34	16.34	8.11
		mm	316	151	114	6.5	370	183	187	201	165	183	415	415	206
30	4P5W	inch	12.44	5.94	4.49	0.26	14.57	7.20	7.44	7.91	6.50	7.20	16.34	16.42	8.11
		mm	316	151	114	6.5	370	183	189	201	165	183	415	417	206
60	2P3W	inch	12.44	5.94	4.49	0.26	14.57	7.20	7.72	8.23	6.50	7.20	16.42	17.01	8.11
		mm	316	151	114	6.5	370	183	196	209	165	183	417	432	206
60	3P4W	inch	12.44	5.94	4.49	0.26	14.57	7.20	7.72	8.23	6.50	7.20	17.01	17.01	8.11
		mm	316	151	114	6.5	370	183	196	209	165	183	432	432	206
60	4P5W	inch	12.44	5.94	4.49	0.26	14.57	7.20	7.72	8.23	6.50	7.20	17.01	17.01	8.11
		mm	316	151	114	6.5	370	183	196	209	165	183	432	432	206

IEC 309 Pin & Sleeve Devices

ELECTRICAL

Insulation Resistance 500V for 1 min. Resistance 5M
Dielectric Voltage Withstand 3000V for 1 min.
Ground Path Current See Table 1
Endurance, Connect and Disconnect Cycles See Table 2
Current Interrupting Certified for current interrupting at full rated current and voltage.
Overload Test Tested for current interrupting at (Power factor 0.75 - 0.80) 150% of the rated current and 100% of the rated voltage for 50 cycles.
Temperature Rise Maximum 30° C rise at full rated current (after overload).
Resistance to Arcing Continuation of overload test for an additional 200 cycles.

MECHANICAL

Mold Stress Relief 70°C (158°F) for 7 hours.
Humidity 32°C (89.6°F), 93% humidity for 7 days (168 hours).
Cable Secureness See Table 3
Impact A device is wired with a 90" (2300mm) length of flexible cord and dropped from 30" (760mm) 8 times. The device is then conditioned for 6 hours at -25°C and immediately subjected to a repeated impact test.
Crushing 250 lbs for 1 minute. The device is then conditioned for 6 hours at -25°C and immediately subjected to a repeated crushing test.
Withdrawal Force See Table 4
Strength of Insulating 110% of specified tightening
Base and Support torque on terminal screws.
Polarization Integrity Matching devices will not mate so that the ground is energized, even when polarization feature is removed and 40 lb (180 N) insertion force is applied.

ENVIRONMENTAL

Flammability V-2 or better per UL 94 or CSA 22.2 No. 0.6
Ambient Temperature Minimum: -25°C (-13°F) with impact
Range Maximum: 90°C (194°F)
Resistance to Corrosion Ferrous parts immersed for 10 min. in 10% solution of ammonium chloride at a temperature of 20°C.
Moisture Resistance Watertight (IP67): Device immersed for 24 hours in water at a temp. of 25°C, the highest point of the device being 2" (5cm) below the water level.
Splashproof (IP44): Device is sprayed with water for 10 minutes and immediately afterwards subjected to splashing water in all directions (360°).
UV Resistance Exposed plastic materials are UV stabilized.



These products are Listed to applicable UL Standards and requirements by Underwriters Laboratories Inc. UL 1682 and UL 1686.

Table 1

Ground Path Current Test				
Device Rating Amperes	Minimum Size Grounding Conductor		Times, Seconds	Test Current, Amperes
	AWG	mm ²		
20	12	3.3	4	470
30	10	5.3	4	750
60	10	5.3	4	750
100	8	8.4	4	1180

A test current that far exceeds the device rating, is passed through the mating devices and grounding wires.

Table 2

Endurance Test			
Device Rating Amperes	Cycles with Load at Rated Current and Voltage	No-Load Cycles	Sequence
20	5000	0	-
30	1000	1000	Alternating
60	1000	1000	Alternating
100	250	250	Alternating

The test sequence is conducted by using a no-load, followed by a load sequence. The power factor of the load is 0.75 to 0.80.

Table 3

Ground Path Current Test						
Device Rating Amperes	Minimum Size Grounding Conductor		Torque		Maximum Displacement	
	lb.	N	ft-lb	N•m	In.	mm
20	30	133	0.54	0.54	3/32	2.38
30	75	333	0.68	0.68	3/32	2.38
60	150	667	1.4	1.4	3/32	2.38
100	150	667	2.7	2.7	3/32	2.38

The flexible cord or cable is simultaneously twisted and pulled. Values for the applied twisting torque and force of pull are shown in Table 3. In all cases the cord displacement is less than 3/32 inches.

Table 4






Ground Path Current Test						
Device Rating Amperes	Minimum Size Grounding Conductor		Torque		Maximum Displacement	
	lb.	N	ft-lb	N•m	In.	mm
20	30	133	0.54	0.54	3/32	2.38
30	75	333	0.68	0.68	3/32	2.38
60	150	667	1.4	1.4	3/32	2.38
100	150	667	2.7	2.7	3/32	2.38

The pressure exerted by mating contacts of a plug and connector must be sufficient to prevent unintentional withdrawal during normal use. During the test, any locking rings or retaining means are not to be engaged.

IEC 309 Pin & Sleeve Devices

IP Rating System

TABLE 1 - CHARACTERISTICS DEFINED BY THE CEI 70-1 - IEC 529 - IEC 144 - UTE C 20-010 - DIN 40050 STANDARDS

First Digit - Protection against persons - touching and ingress of solid foreign objects		Second Digit - Protection Against the Penetration of Liquids								
		IP_0	IP_1	IP_2	IP_3	IP_4	IP_5	IP_6	IP_7	IP_8
		Non Protected	Protection against vertical falling of water drops	Protection against falling of water drops at an angle up to 15° from the vertical	Protection against spraying water (rain) at an angle up to 60° from the vertical	Protection against water jets from any direction (360°)	Protection against water jets from any direction (360°)	Protection against heavy seas (waves)	Protection against effects of immersion in water under defined conditions of pressure and time	Protection against continuous submersion in water
										
IP 0_	Without protection	IP 00								
IP 1_	Protection against touching with the hand and solid objects greater than 50mm dia.	IP 10	IP 11	IP 12						
IP 2_	Protection against touching with the finger and solid objects greater than 12mm dia.	IP 20	IP 21	IP 22	IP 23					
IP 3_	Protection against touching with tools, wires, etc. more than 2.5mm thick and solid objects greater than 2.5mm dia.	IP 30	IP 31	IP 32	IP 33	IP 34				
IP 4_	Protection against touching with tools, wires, etc. more than 1mm thick and solid objects greater than 1mm dia.	IP 40	IP 41	IP 42	IP 43	IP 44				
IP 5_	Unlimited protection against contact with live parts and damaging deposits of dust	IP 50				IP 54	IP 55			
IP 6_	Unlimited protection against contact with live parts and any penetration of dust	IP 60					IP 65	IP 66	IP 67	IP 68

In some countries a third digit (for mechanical security) is added.

NEMA Standard

Designation	Intended Use and Description	Construction Requirements
3	Outdoor use primarily to provide a degree of protection against rain, sleet, windblown dust and damage from external ice formation.	Splashproof (IP44)
4	Indoor and outdoor use primarily to provide a degree of protection against windblown dust Watertight (IP67) and rain, splashing water, hose-directed water and damage from external ice formation.	Watertight (IP67)
4X	Indoor and outdoor use primarily to provide a degree of protection against corrosion, windblown splashing water, hose-directed water and damage from external ice formation.	Watertight (IP67)
6	Indoor and outdoor use primarily to provide a degree of protection against hose-directed water, and the entry of water during occasional temporary submersion at a limited depth and damage from external ice formation.	Watertight (IP67)
12, 12K	Indoor use primarily to provide a degree of protection against circulating dust, falling dirt, and dripping non-corrosive liquids.	Splashproof (IP44)

This information is provided only as a general guide. No specific recommendation is intended. As each application may vary, testing should be conducted by the user in the intended environment.

IEC 309 Pin & Sleeve Devices

Reference Tables

TABLE 1

Cable & Conductor Strip Length

		Device Rating			
		North American	20A	30A	60A
Outer Jacket Strip Length	inch	2	2 $\frac{1}{4}$ ₆₃ ⁴²	3 76	4 102
Conductor Strip Length	inch	$\frac{11}{12}$ ⁴²	11/42 12	31/44 19	1 11/48
Pilot Conductor Strip Length	inch	-	-	71/416 11	51/48 16

TABLE 2

Maximum Torque Applied To Terminal Screws

		Device Rating			
		20A	30A	60A	100A
Torque Terminal Screw	inch mm	7.1 0.8	7.1 0.8	17.6 2	35.3 4
Torque Pilot Screw	inch mm	-	-	7.1 0.8	7.1 0.8

TABLE 3

Cable & Conductor Range

	Poles & Wires	From		To			Cord Grip Range	
		Awg	Type	Awg	Type		With Cable Gland	With Cable Sleeve
20	2P3W	16	S	10	S	inch mm	0.275 - 0.530 7 - 13.5	0.275 - 0.675 7 - 17
	3P4W	16	S	10	S		0.395 - 0.825 10 - 21	0.315 - 0.800 8 - 20
	4P5W	16	S	10	S		0.395 - 0.825 10 - 21	0.315 - 0.800 8 - 20
30	2P3W	12	S	8	S	inch mm	0.395 - 0.825 10 - 21	0.590 - 0.950 10 - 21
	3P4W	12	S	8	S		0.650 - 1.10 16.5 - 28	0.590 - 0.950 10 - 21
	4P5W	12	S	8	S		0.650 - 1.10 16.5 - 28	0.590 - 0.950 10 - 21
60	2P3W	8	S	4	S or W	inch mm	0.650 - 1.50 16.5 - 38	0.635 - 1.30 16 - 33
	3P4W	8	S	4	S or W		0.650 - 1.50 16.5 - 38	0.635 - 1.30 16 - 33
	4P5W	8	S	4	S or W		0.650 - 1.50 16.5 - 38	0.635 - 1.30 16 - 33
100	2P3W	6	S or W	2/0	S or W	inch mm	.950 - 1.90 24 - 48	-
	3P4W	6	S or W	2/0	S or W		.950 - 1.90 24 - 48	-
	4P5W	6	S or W	2/0	S or W		.950 - 1.90 24 - 48	-

TABLE 4

Metric and AWG/MCM conductor size equivalents

Conductor Size		Test Range (A)
mm ²	AWG/MCM	
1,0	18	0-8
1,5	16	8-12
2,5	14	12-15
2,5	12	15-20
4,0	10	20-25
6,0	10	25-32
10	8	32-50
16	6	50-65
25	4	65-85
35	3	85-100
35	2	100-115
50	1	115-130
50	1/0	130-150
70	2/0	150-175
95	3/0	175-200
95	4/0	200-225
120	250	225-250
150	300	250-275
185	350	275-300
185	400	300-350
240	500	350-400



IEC Cordsets

IP67 Watertight 20-30A

Ericson manufactured cordsets are built to the highest quality standards for durability and long service.

- Rugged SOW cord
- Internationally rated IEC plugs and Connectors
- Pigtail cordsets allow for direct wire



Selection Guide

Wires	Voltage	Plug	Connector	25' cord	50' cord	100' cord
20A, 12/3 SOW black cable						
3	125	320P4W	320C4W	320P4W123A	320P4W123B	320P4W123D
3	250	320P6W	320C6W	320P6W123A	320P6W123B	320P6W123D
3	480	320P7W	320C7W	320P7W123A	320P7W123B	320P7W123D
3	277	320P5W	320C5W	320P5W123A	320P5W123B	320P5W123D
20A, 12/4 SOW black cable						
4	125/250	420P12W	420C12W	420P12W124A	420P12W124B	420P12W124D
4	3 ϕ 250	420P9W	420C9W	420P9W124A	420P9W124B	420P9W124D
4	3 ϕ 480	420P7W	420C7W	420P7W124A	420P7W124B	420P7W124D
4	3 ϕ 600	420P5W	420C5W	420P5W124A	420P5W124B	420P5W124D
20A, 12/5 SOW black cable						
5	3 ϕ 120/208	520P9W	520C9W	520P9W125A	520P9W125B	520P9W125D
5	3 ϕ 277/480	520P7W	520C7W	520P7W125A	520P7W125B	520P7W125D
5	3 ϕ 347/600	520P5W	520C5W	520P5W125A	520P5W125B	520P5W125D
30A, 10/3 SOW black cable						
3	125	330P4W	330C4W	330P4W103A	330P4W103B	330P4W103D
3	250	330P6W	330C6W	330P6W103A	330P6W103B	330P6W103D
3	480	330P7W	330C7W	330P7W103A	330P7W103B	330P7W103D
3	277	330P5W	330C5W	330P5W103A	330P5W103B	330P5W103D
30A, 10/4 SOW black cable						
4	125/250	430P12W	430C12W	430P12W104A	430P12W104B	430P12W104D
4	3 ϕ 250	430P9W	430C9W	430P9W104A	430P9W104B	430P9W104D
4	3 ϕ 480	430P7W	430C7W	430P7W104A	430P7W104B	430P7W104D
4	3 ϕ 600	430P5W	430C5W	430P5W104A	430P5W104B	430P5W104D
30A, 10/5 SOW black cable						
5	3 ϕ 120/208	530P9W	530C9W	530P9W105A	530P9W105B	530P9W105D
5	3 ϕ 277/480	530P7W	530C7W	530P7W105A	530P7W105B	530P7W105D
5	3 ϕ 347/600	530P5W	530C5W	530P5W105A	530P5W105B	530P5W105D

IEC Cordsets

IP67 Watertight

60-100A

Ericson manufactured cordsets are built to the highest quality standards for durability and long service.

- Rugged SOW cord
- Internationally rated IEC plugs and Connectors
- Pigtail cordsets allow for direct wire



Selection Guide

Wires	Voltage	Plug	Connector	25' cord	50' cord	100' cord
60A, 6/3 Type W black cable						
3	125	360P4W	360C4W	360P4W63A	360P4W63B	360P4W63D
3	250	360P6W	360C6W	360P6W63A	360P6W63B	360P6W63D
3	480	360P7W	360C7W	360P7W63A	360P7W63B	360P7W63D
3	277	360P5W	360C5W	360P5W63A	360P5W63B	360P5W63D
60A, 6/4 Type W black cable						
4	125/250	460P12W	460C12W	460P12W64A	460P12W64B	460P12W64D
4	3 ϕ 250	460P9W	460C9W	460P9W64A	460P9W64B	460P9W64D
4	3 ϕ 480	460P7W	460C7W	460P7W64A	460P7W64B	460P7W64D
4	3 ϕ 600	460P5W	460C5W	460P5W64A	460P5W64B	460P5W64D
60A, 6/5 Type W black cable						
5	3 ϕ 120/208	560P9W	560C9W	560P9W65A	560P9W65B	560P9W65D
5	3 ϕ 277/480	560P7W	560C7W	560P7W65A	560P7W65B	560P7W65D
5	3 ϕ 347/600	560P5W	560C5W	560P5W65A	560P5W65B	560P5W65D
100A, 2/3 Type W black cable						
3	125	3100P4W	3100C4W	3100P4W23A	3100P4W23B	3100P4W23A
3	250	3100P6W	3100C6W	3100P6W23A	3100P6W23B	3100P6W23A
3	480	3100P7W	3100C7W	3100P7W23A	3100P7W23B	3100P7W23A
3	277	3100P5W	3100C5W	3100P5W23A	3100P5W23B	3100P5W23A
100A, 2/4 Type W black cable						
4	125/250	4100P12W	4100C12W	4100P12W24A	4100P12W24B	4100P12W24D
4	3 ϕ 250	4100P9W	4100C9W	4100P9W24A	4100P9W24B	4100P9W24D
4	3 ϕ 480	4100P7W	4100C7W	4100P7W24A	4100P7W24B	4100P7W24D
4	3 ϕ 600	4100P5W	4100C5W	4100P5W24A	4100P5W24B	4100P5W24D
100A, 2/5 Type W black cable						
5	3 ϕ 120/208	5100P9W	5100C9W	5100P9W25A	5100P9W25B	5100P9W25D
5	3 ϕ 277/480	5100P7W	5100C7W	5100P7W25A	5100P7W25B	5100P7W25D
5	3 ϕ 347/600	5100P5W	5100C5W	5100P5W25A	5100P5W25B	5100P5W25D

IEC Cordset Custom Design Form



Please complete the form below and send to your Ericson Representative or directly to your Ericson Channel & Applications Team at sales@ericson.com.

Amperage	Voltage	Primary	Cable	Jacket Type	Conduit & Wire Mesh Options	Secondary Amperage	Secondary
20 30 60 100	125 125/250 250 250V DC 277 400 480 3Ø 120/208 3Ø 250 3Ø 277/480 3Ø 480 3Ø 347/600 3Ø 600	<p>Blunt</p> <p>Remove outer jacket (specify jacket cut-back)</p> <p>Individual Conductor Preparation - conductor length & end prep</p> <p>Plug (IEC or NEMA), specify: watertight or splashproof, configuration)</p> <p>Back box with Male Inlet (IEC or NEMA), watertight or splashproof, configuration)</p>	<p>AWG & number of conductors</p> <p>12/3 12/4 12/5 10/3 10/4 10/5 6/3 6/4 6/5 2/3 2/4 2/5</p>	<p>Cable Outer Jacket (SO, SEOW, SOW, SOOW, Type W)</p>	<p>Flexible conduit (length)</p> <p>Wire mesh grip (type)</p>	20 30 60 100	<p>Blunt</p> <p>Remove outer jacket (specify jacket cut-back)</p> <p>Individual Conductor Preparation - conductor length & end prep</p> <p>Connector (IEC or NEMA), specify: watertight or splashproof, configuration)</p> <p>Back box with Receptacle (IEC or NEMA), watertight or splashproof, configuration)</p>

Y & W Cordset Custom Design Form



Please complete the form below and send to your Ericson Representative or directly to your Ericson Channel & Applications Team at sales@ericson.com.

L _____
L _____
L _____

Type	Amperage	Voltage	Primary	Length	Cable	Secondary	Leg Length
Y W	15 20 30	125 250 277 480 600	<p>Blunt</p> <p>Remove outer jacket (Specify jacket cut-back)</p> <p>Individual Conductor Preparation - conductor length & end prep</p> <p>Plug (IEC or NEMA), specify: watertight or splashproof, configuration)</p>	2ft - 6ft	<p>Size & number of conductors</p> <p>Cable Outer Jacket (SEOW/SOW)</p>	<p>Blunt</p> <p>Remove outer jacket (specify jacket cut-back)</p> <p>Individual Conductor Preparation - conductor length & end prep</p> <p>Connector (specify: IEC or NEMA, watertight or splashproof, configuration)</p>	<p>Leg 1</p> <p>Leg 2</p> <p>Leg 3</p>

IEC 309 Pin & Sleeve Devices

Plug

Assembly Screws*	Steel, Electro Zinc Plated
Friction Ring*	Steel, Electro Zinc Plated
Gland Cap	Polycarbonate Blend
Grommet	Solid Neoprene
Housing (Front and Back)	Type 6 Nylon
Internal Cord Clamp	Type 6 Nylon
Locking Ring	Type 6 Nylon
Pins (Watertight)	Brass, Nickel plated
Pins (Splashproof)	Brass
Sealing Gasket	Neoprene
Terminal Screws	Steel, Nickel Plated

Inlet

Housing Type	6 Nylon
Locking Ring Type	6 Nylon
Mounting Flange Type	6 Nylon
Pins (Watertight)	Brass, Nickel plated
Pins (Splashproof)	Brass
Sealing Gasket	Neoprene
Terminal Screws	Steel, Nickel Plated

* Stainless steel available upon request

Manufacturing pin & sleeve devices, of superior quality, can only be accomplished through the use of high grade materials. That is an important part of the Ericson Pin & Sleeve system - quality products you can depend on.

Male pins and female sleeves are made of high conductivity brass. Contacts used with watertight devices are nickel plated to prevent corrosion. The insulated housing is made from a high impact, nylon material. The non-metallic device, while resistant to most solvents, chemicals and salt water, is also non-conductive, which enhances the safety of the product.

Application Guide

Industry	Application
Food Processing	Areas where wash downs are common and heavy abuse of connections occur.
Food Service	Indoor service where subject to water, chemicals and cleaning agents.
Outdoor Events & Temporary Power Setups	Concerts, carnivals, sporting events, street fairs, entertainment districts where outdoor connections are required and subject to rain, snow, mud & critical loads mandate a secure connection such as lighting and sound systems.
Chemical Processing	Where subject to rough use, water/possible immersion & corrosion.
Construction Sites	Outdoors where subject to severe weather conditions, wet grounds.
Pulp/Paper Mills	Where subject to rough use, water/possible immersion & corrosion.
Marinas	Where subject to rough use, water/possible immersion & corrosion.
Plant Maintenance & Repair	Where subject to rough use, water/possible immersion & corrosion, dust, metal chips, coolants or exposed to vibration and rough handling.
Agriculture	Outdoor connections for electrically powered equipment such as fans, pumps and heaters
Wastewater Treatment	Flood-prone areas, outdoor connections for electrically powered equipment.
Computer Installation/ Maintenance Repair	Connections under raised floors subject to liquid exposure & for critical loads that require a secure connection.
Machine Build/Repair	To mate with or replace factory-wired devices on imported equipment. OEM assembly onto machinery built for export.

Connector

Assembly Screws*	Steel, Electro Zinc Plated
Cover Type	6 Nylon
Cover Fastener	Nickel Plated Brass, or Macrolon
Friction Ring*	Steel, Electro Zinc Plated
Gland Cap	Polycarbonate Blend
Grommet	Solid Neoprene
Housing (Front and Back)	Type 6 Nylon
Internal Cord Clamp	Type 6 Nylon
Sealing Gasket	Neoprene
Sleeve Spring	Steel, Nickel Plated
Sleeves (Watertight)	Brass, Nickel Plated
Sleeves (Splashproof)	Brass
Terminal Screws	Steel, Nickel Plated

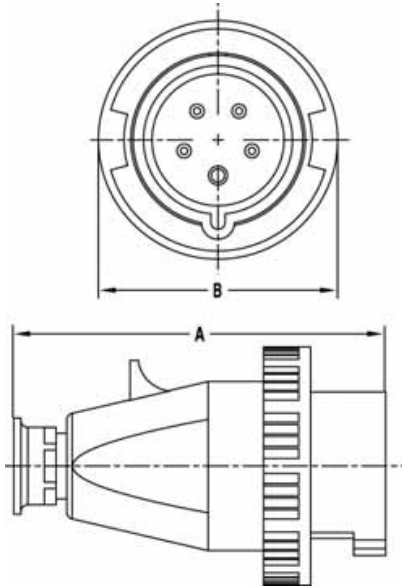
Receptacle

Cover	Type 6 Nylon
Cover Fastener	Nickel Plated Brass, or Macrolon
Cover Spring	Stainless Steel (A2)
Housing	Type 6 Nylon
Mounting Flange	Type 6 Nylon
Sealing Gasket	Neoprene
Sleeve Spring	Steel, Nickel Plated
Sleeves (Watertight)	Brass, Nickel Plated
Sleeves (Splashproof)	Brass
Terminal Screws	Steel, Nickel Plated

IEC 309 Pin & Sleeve Devices

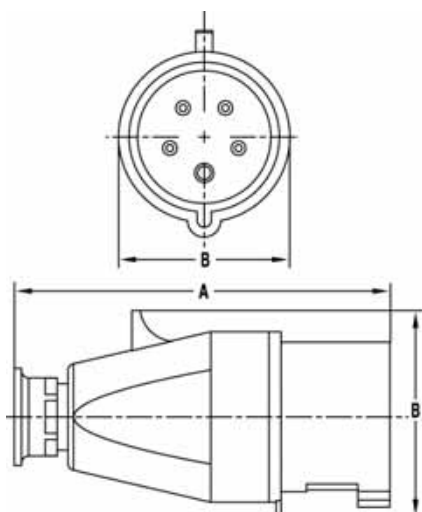
Approximate Dimensions

WATERTIGHT PLUGS (IP67)



Amps	Type	Dimensions			Cord Grip Range
			A	B	
20	3 Wire	inch	4.96	2.83	0.275 - 0.530
		mm	126	72	7.0 - 13.5
20	4 Wire	inch	5.20	3.19	0.395 - 0.825
		mm	132	81	10.0 - 21.0
20	5 Wire	inch	5.20	3.46	0.395 - 0.825
		mm	132	88	10.0 - 21.0
30	3 Wire	inch	6.14	3.78	0.395 - 0.825
		mm	156	96	10.0 - 21.0
30	4 Wire	inch	6.14	3.78	0.650 - 1.10
		mm	156	96	16.5 - 28.0
30	5 Wire	inch	6.14	4.06	0.650 - 1.10
		mm	156	103	16.5 - 28.0
60	3, 4, & 5 Wire	inch	9.57	4.33	0.650 - 1.50
		mm	243	110	16.5 - 38.0
100	3, 4, & 5 Wire	inch	12.40	5.12	0.950 - 1.90
		mm	315	130	24.0 - 48.0

SPLASHPROOF PLUGS (IP44) (with cable gland)

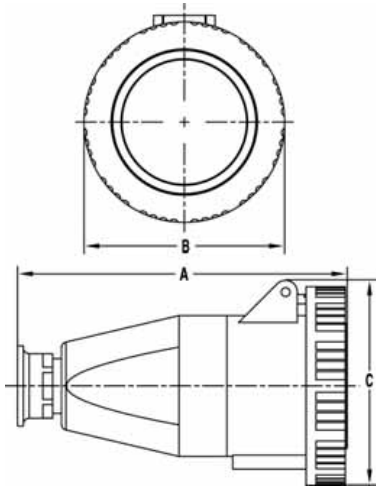


Amps	Type	Dimensions			Cord Grip Range
			A	B	
20	3 Wire	inch	4.84	2.36	0.275 - 0.530
		mm	123	60	7.0 - 13.5
20	4 Wire	inch	5.16	2.68	0.395 - 0.825
		mm	131	68	10.0 - 21.0
20	5 Wire	inch	5.16	2.95	0.395 - 0.825
		mm	131	75	10.0 - 21.0
30	3 Wire	inch	6.10	3.11	0.395 - 0.825
		mm	155	79	10.0 - 21.0
30	4 Wire	inch	6.10	3.11	0.650 - 1.10
		mm	155	79	16.5 - 28.0
30	5 Wire	inch	6.10	3.46	0.650 - 1.10
		mm	155	88	16.5 - 28.0
60	3, 4, & 5 Wire	inch	9.45	3.82	0.650 - 1.50
		mm	240	97	16.5 - 38.0

IEC 309 Pin & Sleeve Devices

Approximate Dimensions

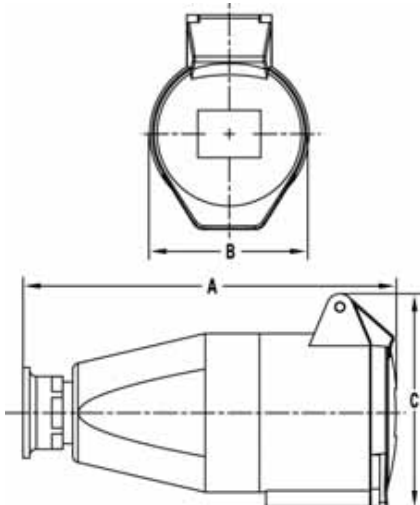
WATERTIGHT CONNECTORS (IP67)



Amps	Type	Dimensions			Cord Grip Range	
		A	B	C		
20	3 Wire	inch	5.35	2.83	3.07	0.275 - 0.530
		mm	136	72	78	7.0 - 13.5
20	4 Wire	inch	5.63	3.19	3.35	0.275 - 0.530
		mm	143	81	85	7.0 - 13.5
20	5 Wire	inch	5.63	3.46	3.58	0.275 - 0.530
		mm	143	88	91	7.0 - 13.5
30	3 Wire	inch	6.97	3.78	3.78	0.395 - 0.825
		mm	177	96	96	10.0 - 21.0
30	4 Wire	inch	6.97	3.78	3.78	0.395 - 0.825
		mm	177	96	96	10.0 - 21.0
30	5 Wire	inch	6.97	4.06	4.13	0.395 - 0.825
		mm	177	103	105	10.0 - 21.0
60	3, 4, & 5 Wire	inch	10.0	4.33	4.61	0.650 - 1.50
		mm	255	110	117	16.5 - 38.0
100	3, 4, & 5 Wire	inch	13.1	5.12	5.12	0.950 - 1.90
		mm	332	130	130	24.0 - 48.0

SPLASHPROOF CONNECTORS (IP44)

(with cable gland)

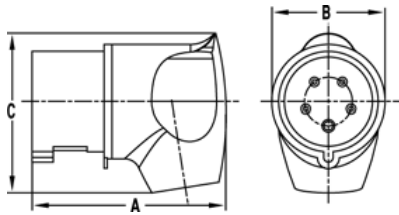


Amps	Type	Dimensions			Cord Grip Range	
		A	B	C		
20	3 Wire	inch	5.32	2.01	2.68	0.275 - 0.530
		mm	135	51	68	7.0 - 13.5
20	4 Wire	inch	5.95	2.56	3.35	0.275 - 0.530
		mm	151	65	85	7.0 - 13.5
20	5 Wire	inch	5.95	2.56	3.35	0.275 - 0.530
		mm	151	65	85	7.0 - 13.5
30	3 Wire	inch	6.73	2.83	3.58	0.395 - 0.825
		mm	171	72	91	10.0 - 21.0
30	4 Wire	inch	6.73	2.83	3.58	0.395 - 0.825
		mm	171	72	91	10.0 - 21.0
30	5 Wire	inch	6.73	2.83	3.86	0.395 - 0.825
		mm	171	72	98	10.0 - 21.0
60	3, 4, & 5 Wire	inch	10.00	3.78	4.49	0.650 - 1.50
		mm	255	96	114	16.5 - 38.0

IEC 309 Pin & Sleeve Devices

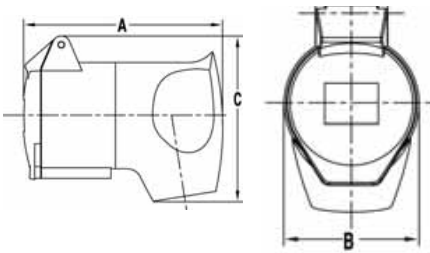
Approximate Dimensions

SPLASHPROOF PLUG (IP44) (Angled)



Amps	Type	Dimensions				
			A	B	C	Cord Grip Range
20	3 Wire	inch	3.31	1.98	2.66	0.315 - 0.590
		mm	84	50.3	67.5	8.0 - 15.0
20	4 Wire	inch	3.98	2.53	3.32	0.395 - 0.650
		mm	101	64.3	84.2	10.0 - 16.5
20	5 Wire	inch	3.98	2.53	3.39	0.395 - 0.650
		mm	101	64.3	86	10.0 - 6.5
30	3 Wire	inch	4.53	2.83	3.76	0.435 - 0.865
		mm	115	72	95.5	11.0 - 22.0
30	4 Wire	inch	4.53	2.83	3.76	0.435 - 0.865
		mm	115	72	95.5	11.0 - 22.0
30	5 Wire	inch	4.53	2.83	3.96	0.435 - 0.865
		mm	115	72	100.5	11.0 - 22.0

SPLASHPROOF CONNECTOR (IP44) (Angled)

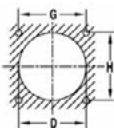
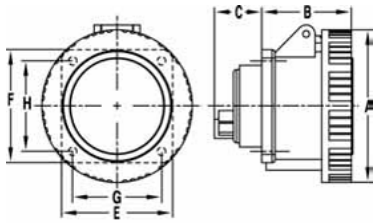


Amps	Type	Dimensions				
			A	B	C	Cord Grip Range
20	3 Wire	inch	3.74	1.98	3.15	0.315 - 0.510
		mm	95	50.3	80	8.0 - 13.0

IEC 309 Pin & Sleeve Devices

Approximate Dimensions

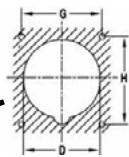
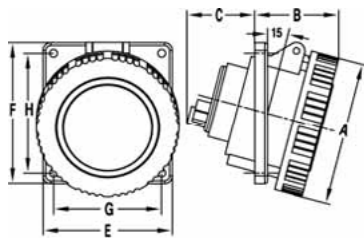
WATERTIGHT RECEPTACLE (IP67) (Straight)



5.5mm [.22"] 20 and 30 Amp
6.5mm [.26"] 60 and 100 Amp

Amps	Type	Dimensions								
			A	B	C	D	E	F	G	H
20	3 Wire	inch	2.82	2.05	1.10	1.81	2.44	2.44	1.85	1.85
		mm	71.5	52	28	46	62	62	47	47
20	4 Wire	inch	31.9	2.05	1.10	2.36	2.95	2.95	2.36	2.36
		mm	81	52	28	60	75	75	60	60
20	5 Wire	inch	3.46	2.05	1.10	2.36	2.95	2.95	2.36	2.36
		mm	88	52	28	60	75	75	60	60
30	3 & 4 Wire	inch	3.78	2.56	1.06	2.36	2.95	2.95	2.36	2.36
		mm	96	65	27	60	75	75	60	60
30	5 Wire	inch	4.06	2.56	1.06	2.36	2.95	2.95	2.36	2.36
		mm	103	65	27	60	75	75	60	60
60	3, 4, & 5 Wire	inch	4.29	3.27	2.05	3.54	3.94	3.94	3.03	3.35
		mm	109	83	52	90	100	100	77	85
100	3, 4, & 5 Wire	inch	5.12	3.78	2.52	3.54	4.49	4.49	3.54	3.54
		mm	130	96	64	90	114	114	90	90

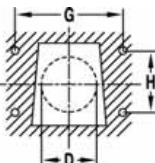
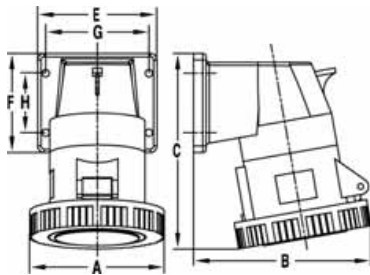
WATERTIGHT RECEPTACLE (IP67) (Angled 15°)



5.5mm [.22"] 20 and 30 Amp
6.5mm [.26"] 60 and 100 Amp

Amps	Type	Dimensions								
			A	B	C	D	E	F	G	H
20	3 Wire	inch	2.82	1.93	1.61	2.01	2.44	2.68	1.85	1.85
		mm	71.5	49	41	51	62	68	47	47
20	4 Wire	inch	31.9	2.05	1.50	2.87	3.62	3.94	3.03	3.35
		mm	81	52	38	73	92	100	77	85
20	5 Wire	inch	3.46	2.05	1.50	2.87	3.62	3.94	3.03	3.35
		mm	88	52	38	73	92	100	77	85
30	3 & 4 Wire	inch	3.78	2.20	1.85	2.87	3.62	3.94	3.03	3.35
		mm	96	56	47	73	92	100	77	85
30	5 Wire	inch	4.06	2.36	1.85	2.87	3.62	3.94	3.03	3.35
		mm	103	60	47	73	92	100	77	85
60	3, 4, & 5 Wire	inch	4.29	3.23	2.52	3.19	3.94	4.21	3.03	3.35
		mm	109	82	82	81	100	107	77	85
100	3, 4, & 5 Wire	inch	5.12	3.70	3.70	3.54	4.49	4.49	3.54	3.54
		mm	130	94	94	90	114	114	90	90

WATERTIGHT RECEPTACLE (IP67) (Angled 80°)



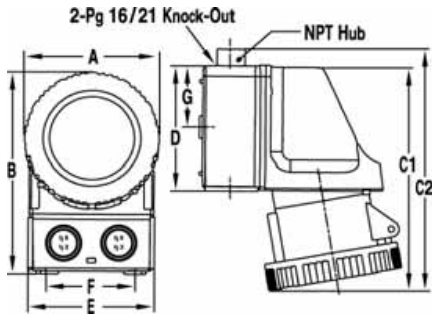
5.5mm [.22"] 20 and 30 Amp
6.2mm [.24"] 60 Amp

Amps	Type	Dimensions								
			A	B	C	D (max)	E	F	G	H
20	3 Wire	inch	2.83	3.46	4.29	1.18	2.56	2.05	2.17	1.18
		mm	72	88	109	30	65	52	55	30
20	4 Wire	inch	3.19	4.25	4.84	1.50	3.15	2.60	2.68	1.57
		mm	81	108	123	38	80	66	68	40
20	5 Wire	inch	3.46	4.25	4.84	1.50	3.15	2.60	2.68	1.57
		mm	88	108	123	38	80	66	68	40
30	3 & 4 Wire	inch	3.78	4.76	5.71	1.50	3.54	2.95	3.07	1.77
		mm	96	121	145	38	90	75	78	45
30	5 Wire	inch	4.06	4.84	5.71	1.73	3.54	2.95	3.07	1.77
		mm	103	123	145	44	90	75	78	45
60	3, 4, & 5 Wire	inch	4.33	5.63	7.99	2.20	4.49	4.49	3.54	3.54
		mm	110	143	203	56	114	114	90	90

IEC 309 Pin & Sleeve Devices

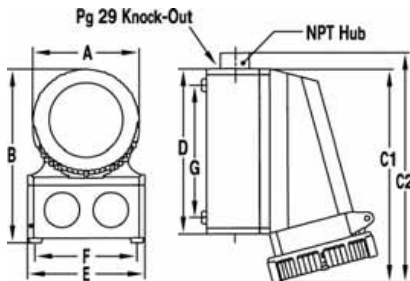
Approximate Dimensions

WATERTIGHT RECEPTACLES (IP67) (Surface Mount, Angled 80°)



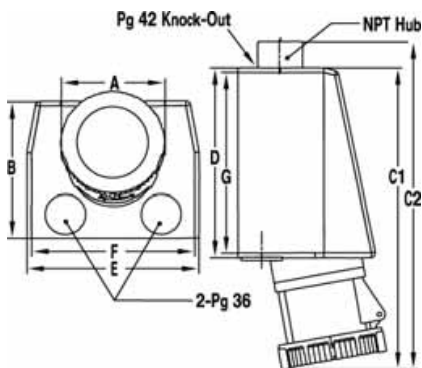
Amps	Type	Dimensions									Hub Size
			A	B	C ¹	C ²	D	E	F	G	
20	3 Wire	inch	2.83	5.51	6.46	7.13	3.78	3.74	2.62	1.87	3/4"
		mm	72	140	164	181	96	95	66.5	47.5	
20	4 Wire	inch	3.19	5.67	6.46	7.13	3.78	3.74	2.62	1.87	3/4"
		mm	81	144	164	181	96	95	66.5	47.5	
20	5 Wire	inch	3.46	5.79	6.46	7.13	3.78	3.74	2.62	1.87	3/4"
		mm	88	147	164	181	96	95	66.5	47.5	
30	3 Wire	inch	3.78	6.06	6.93	7.60	3.78	3.74	2.62	1.87	3/4"
		mm	96	154	176	193	96	95	66.5	47.5	
30	4 Wire	inch	3.78	6.06	6.93	7.60	3.78	3.74	2.62	1.87	3/4"
		mm	96	154	176	193	96	95	66.5	47.5	
30	5 Wire	inch	4.06	6.14	6.93	7.60	3.78	3.74	2.62	1.87	3/4"
		mm	103	156	176	193	96	95	66.5	47.5	

WATERTIGHT RECEPTACLES (IP67) (Surface Mount, Angled 80°)



Amps	Type	Dimensions									Hub Size
			A	B	C ¹	C ²	D	E	F	G	
60	4 Wire	inch	4.33	7.01	8.82	9.76	6.77	4.76	4.09	5.35	1 1/4"
		mm	110	178	224	248	172	121	104	136	
	5 Wire	inch	4.33	7.01	8.82	9.76	6.77	4.76	4.09	5.35	1 1/4"
		mm	110	178	224	248	172	121	104	136	

WATERTIGHT RECEPTACLES (IP67) (Surface Mount, Angled 80°)

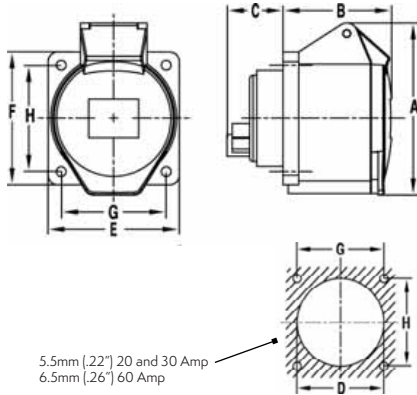


Amps	Type	Dimensions									Hub Size
			A	B	C ¹	C ²	D	E	F	G	
100	3 Wire	inch	5.12	7.48	16.0	16.9	10.4	8.66	7.87	9.45	2"
		mm	130	190	406	430	263	220	200	240	
	4 Wire	inch	5.12	7.48	16.0	16.9	10.4	8.66	7.87	9.45	2"
		mm	130	190	406	430	263	220	200	240	
	5 Wire	inch	5.12	7.48	16.0	16.9	10.4	8.66	7.87	9.45	2"
		mm	130	190	406	430	263	220	200	240	

IEC 309 Pin & Sleeve Devices

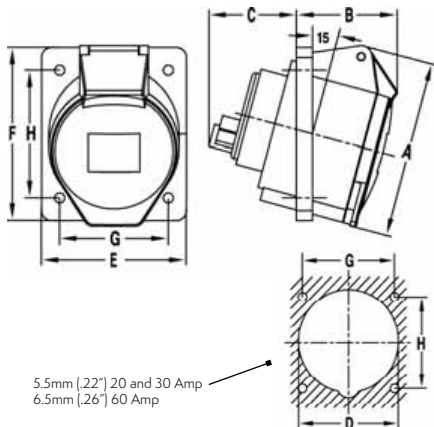
Approximate Dimensions

SPLASHPROOF RECEPTACLE (IP44)



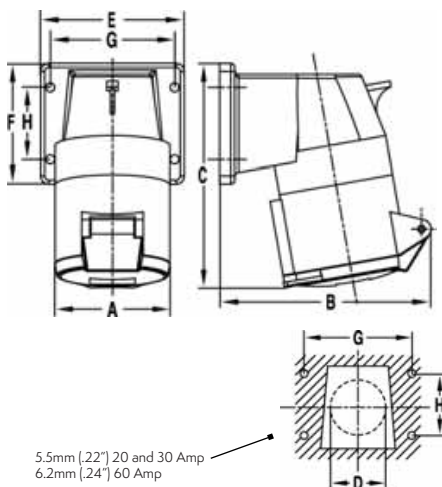
Amps	Type	Dimensions								
			A	B	C	D	E	F	G	H
20	3 Wire	inch	2.68	2.05	1.10	1.81	2.44	2.44	1.85	1.85
		mm	68	52	28	46	62	62	47	47
20	4 & 5 Wire	inch	3.35	2.09	1.10	2.36	2.95	2.95	2.36	2.36
		mm	85	53	28	60	75	75	60	60
20	7 Wire	inch	3.35	2.09	1.10	2.36	3.15	3.15	2.36	2.36
		mm	85	53	28	60	80	80	60	60
30	3 & 4 Wire	inch	3.58	2.56	1.06	2.36	2.95	2.95	2.36	2.36
		mm	91	65	27	60	75	75	60	60
30	5 Wire	inch	3.86	2.56	1.06	2.36	2.95	2.95	2.36	2.36
		mm	98	65	27	60	75	75	60	60
30	7 Wire	inch	3.86	2.56	1.06	2.36	3.15	3.15	2.36	2.36
		mm	98	65	27	60	80	80	60	60
60	3, 4, & 5 Wire	inch	4.49	3.35	2.05	3.54	3.94	4.21	3.03	3.35
		mm	114	85	52	90	100	107	77	85

SPLASHPROOF RECEPTACLE (IP44) (Angled 15°)



Amps	Type	Dimensions								
			A	B	C	D	E	F	G	H
20	3 Wire	inch	2.68	1.77	1.61	2.01	2.44	2.68	1.85	1.85
		mm	68	45	41	51	62	68	47	47
20	4 Wire	inch	3.35	2.01	1.50	2.36	2.95	2.95	2.36	2.36
		mm	85	51	38	60	75	75	60	60
20	5 Wire	inch	3.35	2.01	1.50	2.56	2.95	3.35	2.36	2.36
		mm	85	51	38	65	75	85	60	60
30	3 Wire	inch	3.58	2.05	1.85	2.64	2.95	3.54	2.36	2.36
		mm	91	52	47	67	75	90	60	60
30	4 Wire	inch	3.85	2.05	1.85	2.64	2.95	3.54	2.36	2.36
		mm	91	52	47	67	75	90	60	60
30	5 Wire	inch	3.86	2.20	1.85	2.70	3.15	3.74	2.36	2.36
		mm	98	56	47	68.5	80	95	60	60
60	3, 4, & 5 Wire	inch	-	3.11	2.52	3.19	3.94	4.21	3.03	3.35
		mm	-	79	64	81	100	107	77	85

SPLASHPROOF RECEPTACLE (IP44) (Angled 80°)

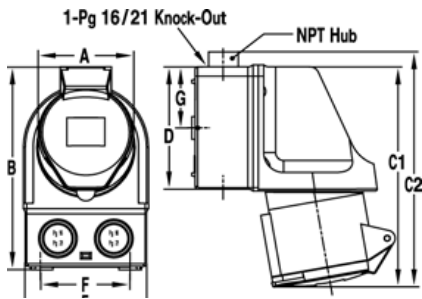


Amps	Type	Dimensions								
			A	B	C	D max	E	F	G	H
20	3 Wire	inch	2.01	3.43	4.57	1.18	2.56	2.05	2.17	1.18
		mm	51	87	116	30	65	52	55	30
20	4 Wire	inch	2.56	4.33	4.80	1.50	3.15	2.60	2.68	1.57
		mm	65	110	122	38	80	66	68	40
20	5 & 7 Wire	inch	2.56	4.33	4.80	1.50	3.15	2.60	2.68	1.57
		mm	65	110	122	38	80	66	68	40
30	3 Wire	inch	2.83	4.72	5.55	1.73	3.54	2.95	3.07	1.77
		mm	72	120	141	44	90	75	78	45
30	4 Wire	inch	2.83	4.72	5.55	1.73	3.54	2.95	3.07	1.77
		mm	72	120	141	44	90	75	78	45
30	5 & 7 Wire	inch	2.83	4.88	5.59	1.73	3.54	2.95	3.07	1.77
		mm	72	124	142	44	90	75	78	45
60	3, 4, & 5 Wire	inch	3.78	5.51	7.64	2.20	4.49	4.49	3.54	3.54
		mm	96	140	194	56	114	114	90	90

IEC 309 Pin & Sleeve Devices

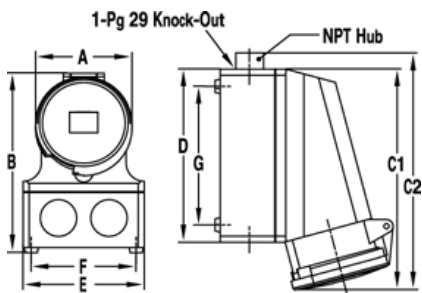
Approximate Dimensions

SPLASHPROOF RECEPTACLES (IP44) (Surface Mount, Angled 80°)



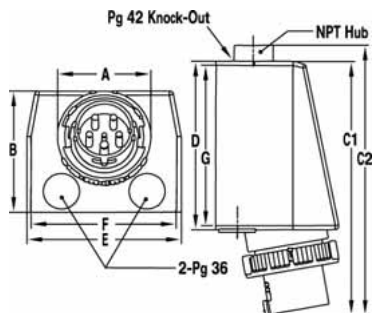
Amps	Type	Dimensions									Hub Size
			A	B	C ¹	C ²	D	E	F	G	
20	3 Wire	inch	2.01	5.51	6.30	6.97	3.78	3.74	2.62	1.87	3/4"
		mm	51	150	160	177	96	95	66.5	47.5	
20	4 Wire	inch	2.56	5.63	6.46	7.13	3.78	3.74	2.62	1.87	3/4"
		mm	65	143	164	181	96	95	66.5	47.5	
20	5 Wire	inch	2.56	5.75	6.46	7.13	3.78	3.74	2.62	1.87	3/4"
		mm	65	146	164	181	96	95	66.5	47.5	
30	3 Wire	inch	2.83	6.06	6.81	7.48	3.78	3.74	2.62	1.87	3/4"
		mm	72	154	173	190	96	95	66.5	47.5	
30	4 Wire	inch	2.83	6.06	6.81	7.48	3.78	3.74	2.62	1.87	3/4"
		mm	72	154	173	190	96	95	66.5	47.5	
30	5 Wire	inch	2.83	6.18	6.81	7.48	3.78	3.74	2.62	1.87	3/4"
		mm	72	157	173	190	96	95	66.5	47.5	

SPLASHPROOF RECEPTACLES (IP44) (Surface Mount, Angled 80°)



Amps	Type	Dimensions									Hub Size
			A	B	C ¹	C ²	D	E	F	G	
60	4 Wire	inch	3.78	7.01	8.66	9.61	6.77	4.76	4.09	5.35	1 1/4"
		mm	96	178	220	172	172	121	104	136	
60	5 Wire	inch	3.78	7.01	8.66	9.61	6.72	4.76	4.09	5.35	1 1/4"
		mm	96	178	220	172	172	121	104	136	

SPLASHPROOF INLETS (IP44) (Surface Mount, Angled 80°)



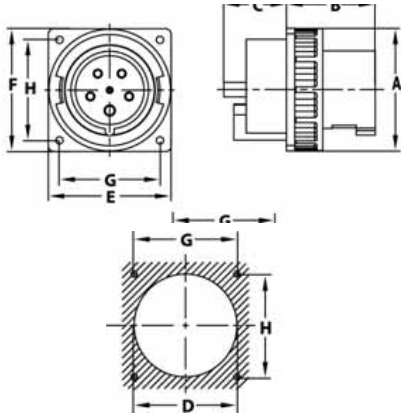
Amps	Type	Dimensions									Hub Size
			A	B	C ¹	D	E	F	G		
60	3 Wire	inch	4.33	4.65	9.13	5.98	4.65	4.17	4.75	1 1/4"	
		mm	110	118	232	152	118	106	120		
60	4 Wire	inch	4.33	4.65	9.13	5.98	4.65	4.17	4.72	1 1/4"	
		mm	110	118	232	152	118	106	120		
60	5 Wire	inch	4.33	4.65	9.13	5.98	4.65	4.17	4.72	1 1/4"	
		mm	110	118	232	152	118	106	120		
100	3 Wire	inch	5.12	6.89	15.4	10.4	8.66	7.87	9.45	2"	
		mm	130	175	390	263	220	200	240		
100	4 Wire	inch	5.12	6.89	15.4	10.4	8.66	7.87	9.45	2"	
		mm	130	175	390	263	220	200	240		
100	5 Wire	inch	5.12	6.89	15.4	10.4	8.66	7.87	9.45	2"	
		mm	130	175	390	263	220	200	200		

IEC 309 Watertight Inlets (IP67)

Approximate Dimensions

WATERTIGHT INLETS (IP67)

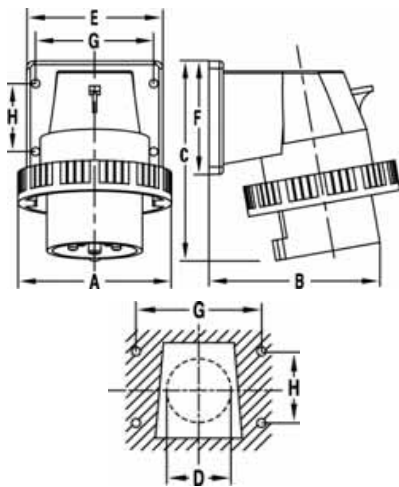
(Straight)



Amps	Type	Dimensions								
		NA	A	B	C	D	E	F	G	H
100	3 Wire	inch	5.12	3.70	2.20	3.54	5.12	5.12	4.09	4.09
		mm	130	94	56	90	130	130	104	104
	4 Wire	inch	5.12	3.70	2.20	3.54	5.12	5.12	4.09	4.09
		mm	130	94	56	90	130	130	104	104
	5 Wire	inch	5.12	3.70	2.20	3.54	5.12	5.12	4.09	4.09
		mm	130	94	56	90	130	130	104	104

WATERTIGHT INLETS (IP67)

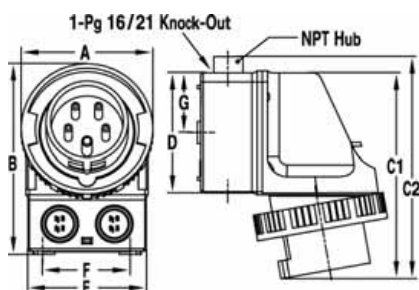
(Angled 80°)



Amps	Type	Dimensions								
		NA	A	B	C ¹	D (max)	E	F	G	H
20	3 Wire	inch	2.83	3.19	3.86	1.18	2.56	2.05	2.17	1.18
		mm	72	81	98	30	65	52	55	30
20	4 Wire	inch	3.19	3.90	4.33	1.50	3.15	2.60	2.68	1.57
		mm	81	99	110	38	80	66	68	40
20	5 Wire	inch	3.50	4.06	4.45	1.50	3.15	2.60	2.68	1.57
		mm	89	103	113	38	80	66	68	40
30	3 Wire	inch	3.78	4.45	5.12	1.73	3.54	2.95	3.07	1.77
		mm	96	113	130	44	90	75	78	45
30	4 Wire	inch	3.78	4.45	5.12	1.73	3.54	2.95	3.07	1.77
		mm	96	113	130	44	90	75	78	45
30	5 Wire	inch	4.02	4.61	5.12	1.73	3.54	2.95	3.07	1.77
		mm	102	117	130	44	90	75	78	45
60	3, 4, & 5 Wire	inch	4.33	5.00	7.20	2.20	4.49	4.49	3.54	3.54
		mm	110	127	183	56	114	114	90	90

WATERTIGHT INLETS (IP67)

(Surface Mount, Angled 80°)



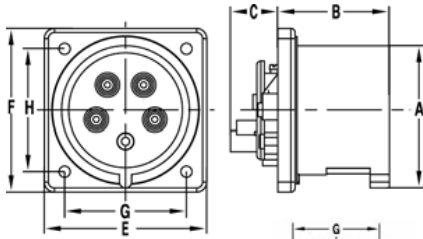
Amps	Type	Dimensions									Hub Size
		NA	A	B	C ¹	C ²	D	E	F	G	
20	3 Wire	inch	2.83	5.51	6.06	6.73	3.78	3.74	2.62	1.87	3/4"
		mm	72	140	154	171	96	95	66.5	47.5	
20	4 Wire	inch	3.19	5.51	6.06	6.73	3.78	3.74	2.62	1.87	3/4"
		mm	81	140	154	171	96	95	66.5	47.5	
20	5 Wire	inch	3.46	5.51	6.06	6.73	3.78	3.74	2.62	1.87	3/4"
		mm	88	140	154	171	96	95	66.5	47.5	
30	3 Wire	inch	3.78	5.79	6.46	7.13	3.78	3.74	2.62	1.87	3/4"
		mm	96	147	164	181	96	95	66.5	47.5	
30	4 Wire	inch	3.78	5.79	6.46	7.13	3.78	3.74	2.62	1.87	3/4"
		mm	96	147	164	181	96	95	66.5	47.5	
30	5 Wire	inch	4.06	5.91	6.46	7.13	3.78	3.74	2.62	1.87	3/4"
		mm	103	150	164	181	96	95	66.5	47.5	

IEC 309 Splashproof Inlets (IP44)

Approximate Dimensions

SPLASHPROOF INLETS (IP44)

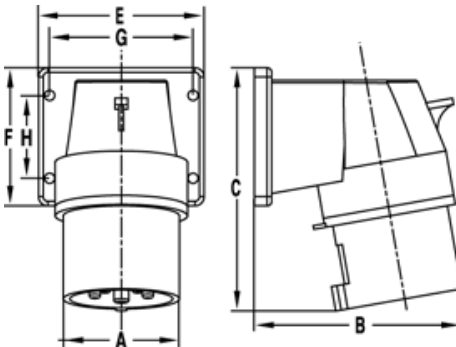
(Straight)



5.5mm (.22")

SPLASHPROOF INLETS (IP44)

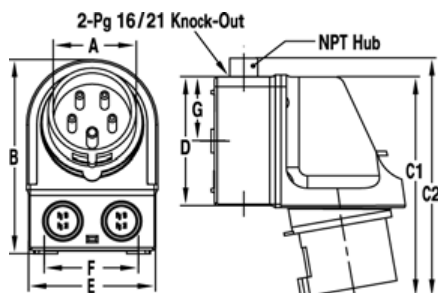
(Angled 80°)



5.5mm [.22"] 20 and 30 Amp
6.2mm [.24"] 60 and 100 Amp

SPLASHPROOF INLETS (IP44)

(Surface Mount, Angled 80°)



Amps	Type	Dimensions								
			A	B	C	D	E	F	G	H
20	3 Wire	inch	1.85	1.85	0.87	1.97	2.44	2.44	1.85	1.85
		mm	47	47	22	50	62	62	47	47
20	4 Wire	inch	2.09	1.85	0.87	2.64	3.15	3.15	2.36	2.36
		mm	53	47	22	67	80	80	60	60
20	5 & 7 Wire	inch	2.40	1.85	0.87	2.64	3.15	3.15	2.36	2.36
		mm	61	47	22	67	80	80	60	60
30	3 Wire	inch	2.48	2.20	0.87	2.80	3.15	3.15	2.36	2.36
		mm	63	56	22	71	80	80	60	60
30	4 Wire	inch	2.48	2.20	0.87	2.80	3.15	3.15	2.36	2.36
		mm	63	56	22	71	80	80	60	60
30	5 & 7 Wire	inch	2.72	2.20	0.87	2.80	3.15	3.15	2.36	2.36
		mm	69	56	22	71	80	80	60	60
60	5 Wire	inch	2.99	3.27	1.14	3.39	4.17	4.33	3.54	3.54
		mm	76	83	29	86	106	110	90	90

Amps	Type	Dimensions								
			A	B	C	D (max)	E	F	G	H
20	3 Wire	inch	1.71	2.83	3.82	1.18	2.56	2.05	2.17	1.18
		mm	43.5	72	97	30	65	52	55	30
20	4 Wire	inch	1.97	3.54	4.33	1.50	3.15	2.60	2.68	1.57
		mm	50	90	110	38	80	66	68	40
20	5 Wire	inch	2.20	3.62	1.33	1.50	3.15	2.60	2.68	1.57
		mm	56	92	110	38	80	66	68	40
30	3 & 4 Wire	inch	2.24	4.06	5.08	1.73	3.54	2.5	3.07	1.77
		mm	57	103	129	44	90	75	78	45
30	5 Wire	inch	2.24	4.06	5.08	1.73	3.54	2.95	3.07	1.77
		mm	57	103	129	44	90	75	78	45
30	3, 4, & 5 Wire	inch	2.52	4.06	5.08	1.73	3.54	2.95	3.07	1.77
		mm	64	103	129	44	90	75	78	45
60	3, 4, & 5 Wire	inch	2.72	4.57	7.28	2.20	4.49	4.49	3.54	3.54
		mm	69	116	185	56	114	114	90	90

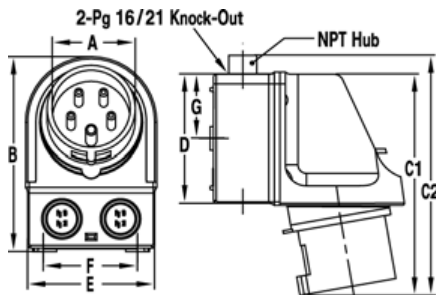
Amps	Type	Dimensions									Hub Size
			A	B	C ¹	C ²	D	E	F	G	
20	4 Wire	inch	1.97	5.51	5.95	6.61	3.78	3.74	2.62	1.87	3/4"
		mm	50	140	151	168	96	95	66.5	47.5	
20	5 & 7 Wire	inch	2.20	5.51	5.95	6.61	3.78	3.74	2.62	1.87	3/4"
		mm	56	140	151	168	96	95	66.5	47.5	
30	3 Wire	inch	2.24	5.51	6.30	6.97	3.78	3.74	2.62	1.87	3/4"
		mm	57	140	160	177	96	95	66.5	47.5	
30	4 Wire	inch	2.24	5.51	3.60	6.97	3.78	3.74	2.62	1.87	3/4"
		mm	57	140	160	177	96	95	66.5	47.5	
30	5 & 7 Wire	inch	2.52	5.51	6.30	6.97	3.78	3.74	2.62	1.87	3/4"
		mm	64	140	160	177	96	95	66.5	47.5	

IEC 309 Splashproof Inlets (IP44)

Approximate Dimensions

SPLASHPROOF INLETS (IP44)

(Surface Mount, Angled 80°)



Amps	Type	Dimensions									Hub Size
			A	B	C ¹	C ²	D	E	F	G	
20	4 Wire	inch	1.97	5.51	5.95	6.61	3.78	3.74	2.62	1.87	3/4"
		mm	50	140	151	168	96	95	66.5	47.5	
20	5 & 7 Wire	inch	2.20	5.51	5.95	6.61	3.78	3.74	2.62	1.87	3/4"
		mm	56	140	151	168	96	95	66.5	47.5	
30	3 Wire	inch	2.24	5.51	6.30	6.97	3.78	3.74	2.62	1.87	3/4"
		mm	57	140	160	177	96	95	66.5	47.5	
30	4 Wire	inch	2.24	5.51	3.60	6.97	3.78	3.74	2.62	1.87	3/4"
		mm	57	140	160	177	96	95	66.5	47.5	
30	5 & 7 Wire	inch	2.52	5.51	6.30	6.97	3.78	3.74	2.62	1.87	3/4"
		mm	64	140	160	177	96	95	66.5	47.5	

Related Products:

Click on an image or scan the QR code for more product information.

Scan Here



[4 Wheel PTU](#)



[2 Wheel PTU](#)



[1066-FS](#)



[CDU-50](#)



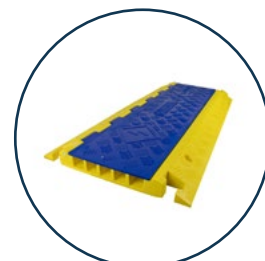
[NM3
Non Metallic Boxes](#)



[CAM Style
Cordsets](#)



[63ASO, 63BSO,
& 63DSO Cordsets](#)



[TUFFTRAXX™](#)



SCAN HERE



Manufacturing Electrical Safety
Products for over 100 years.

4323 Hamann Parkway
Willoughby, OH 44094
info@ericson.com
ericson.com
1.800.ERICSON
L1000882D

